

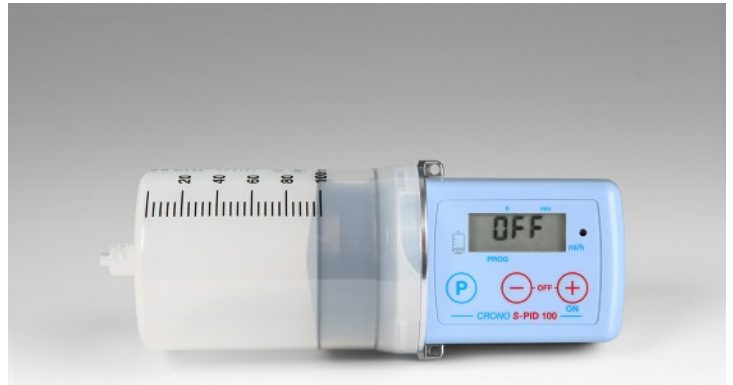
# CRONO S-PID100

## With 100mL Syringe Reservoir

To address the growing requirement for larger volume infusion of immunoglobulins and similar compounds, Applied Medical Technology are pleased to introduce the Crono S-PID100 portable infusion pump.

Based on the current range of Crono S-PID pumps, the S-PID 100 retains the same small pump size with a new syringe configuration to maintain the compact dimensions of the system.

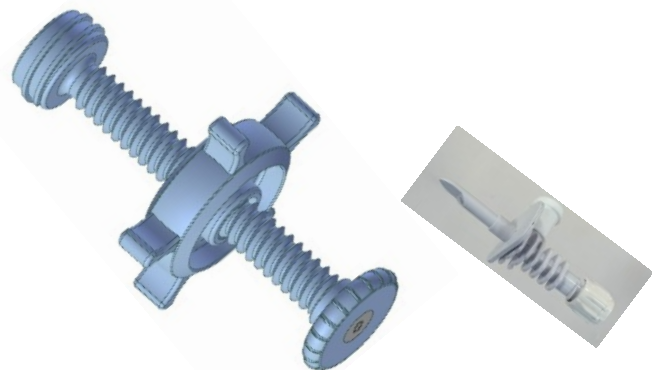
Programmable in either a timed or flow rate mode of operation, this is the most flexible system available, allowing for a wide range of treatment options.



## Specifications

Dimensions	88 x 59 x 56 mm
Weight	140 g (Battery Included)
Battery	3 Volt Type 123A Lithium
Syringe Volume	100ml
Administration rate setting	Constant rate programmable from 0.2 ml/hr to 300ml/hr Timed mode delivery from 20 mins to 500 hrs
Accuracy	+/- 3%
Keyboard Lock	2 Security levels available
Occlusion pressure	2.2 bar +/- 1

To address the more difficult task of filling this size of syringe with the more viscous solutions used, Cane have also introduced their new **CRONOFILL** accessory. By replacing the syringe plunger, where required, this device will make the drawing up of the drug much easier. We also recommend the use of a transfer spike for filling the syringe.



The new model works with all standard infusion sets and has a full range of carrying accessories for user convenience.

LR016/19BM